

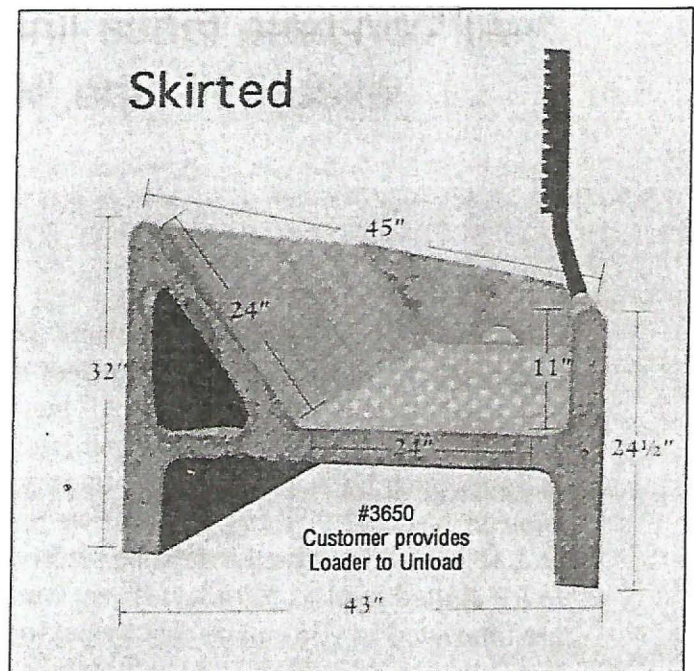
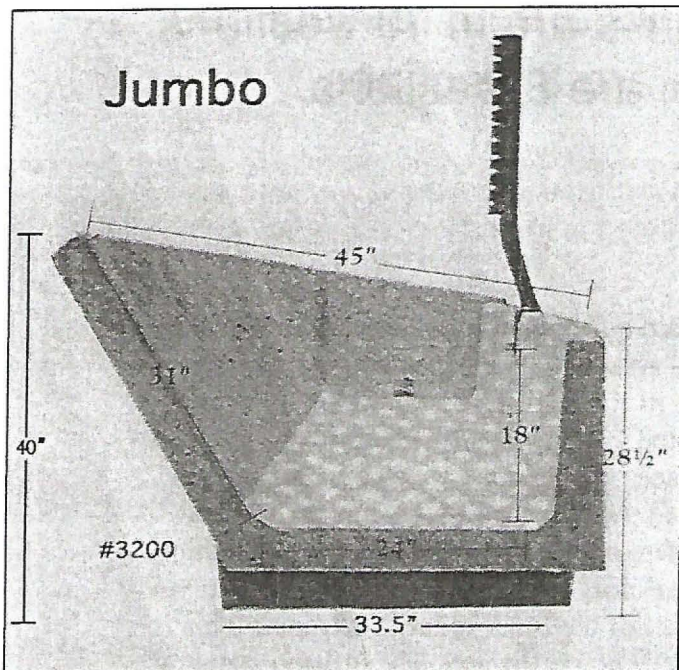
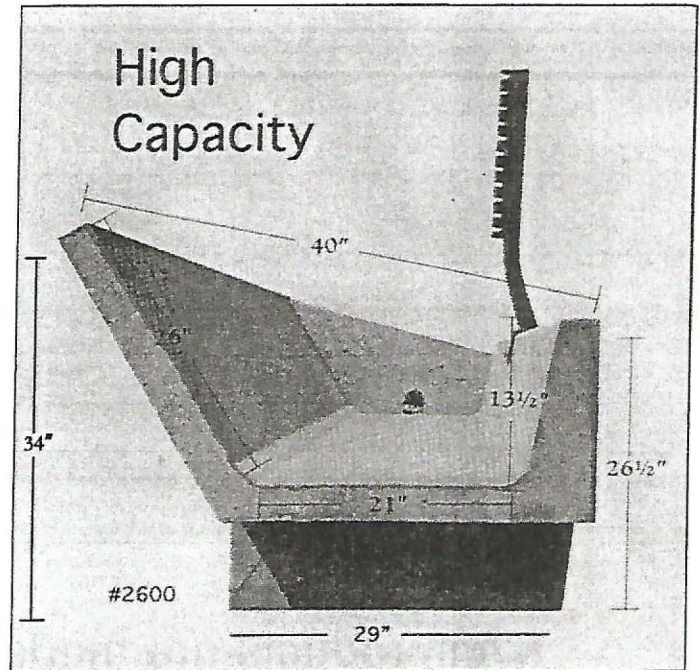
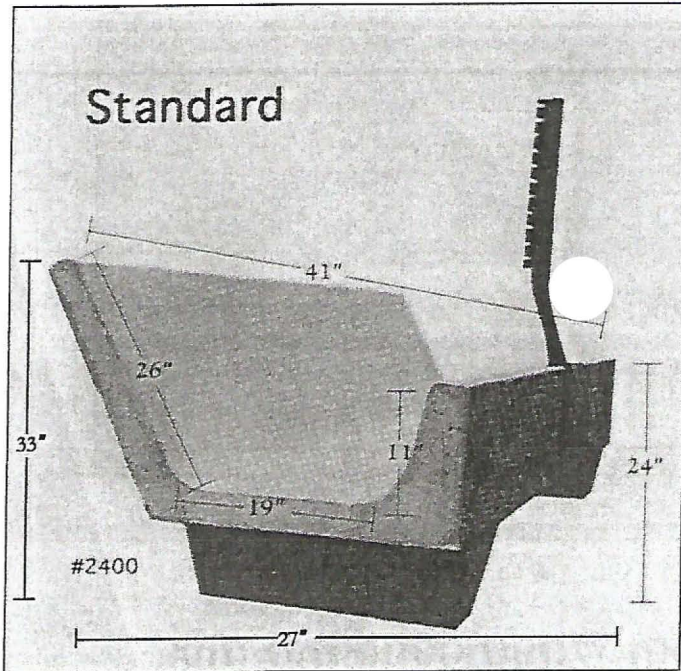
# JD Concrete Products

Mitchell, South Dakota 57301 — 605-996-8084

Huron, South Dakota — 605-352-7765

Mailing Address: PO Box 955, Mitchell, SD 57301

## Concrete Fence Line Feed Bunks

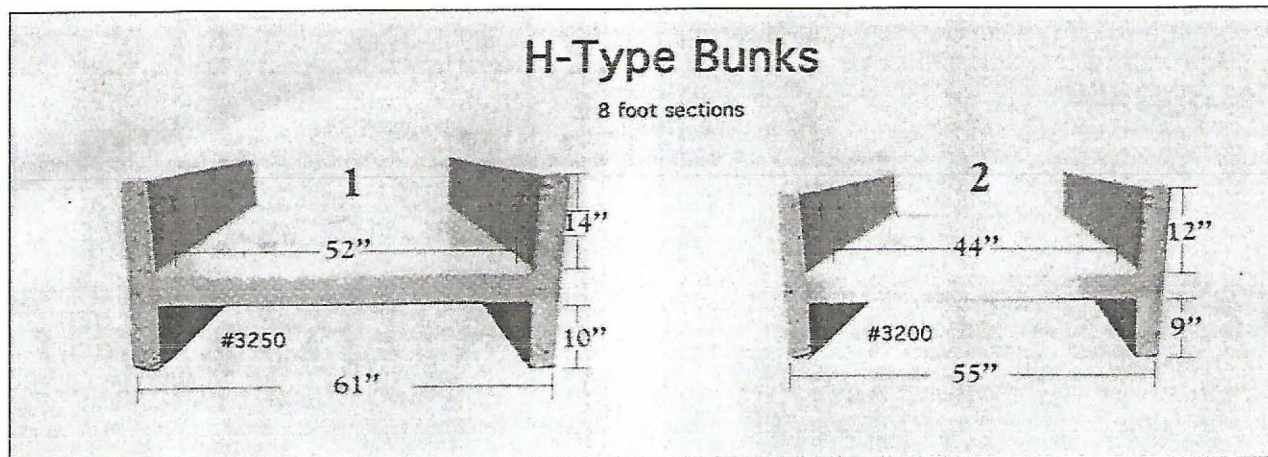


# JD Concrete Products

Mitchell, South Dakota 57301 — 605-996-8084

Huron, South Dakota — 605-352-7765

Mailing Address: PO Box 955, Mitchell, SD 57301



- All products are made from 7 bag concrete mix.
- All bunks are reinforced with 1/2 inch welded rebar.
- All concrete fence line bunks are in 10' sections, except H-type, which are 8' sections.